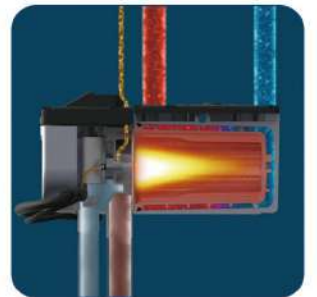
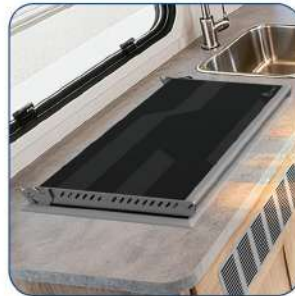


Earnest Persistence Honesty Innovation



<https://www.beliefparkingheater.com>

DIESEL/GASOLINE AIR AND WATER INTEGRATED PARKING HEATER

The fuel hot water and warm air heater is divided into diesel and gasoline versions with city electric power for working. It can provide indoor heating through four heating air outlets for RVs, camper vans, yachts, etc. It can also simultaneously or separately supply hot water to bathrooms or kitchens.

SUPER
QUIET

INTELLIGENT
PLATEAU

SAFE AND
RELIABLE

ENERGY
SAVING

FUEL OR
ELECTRIC

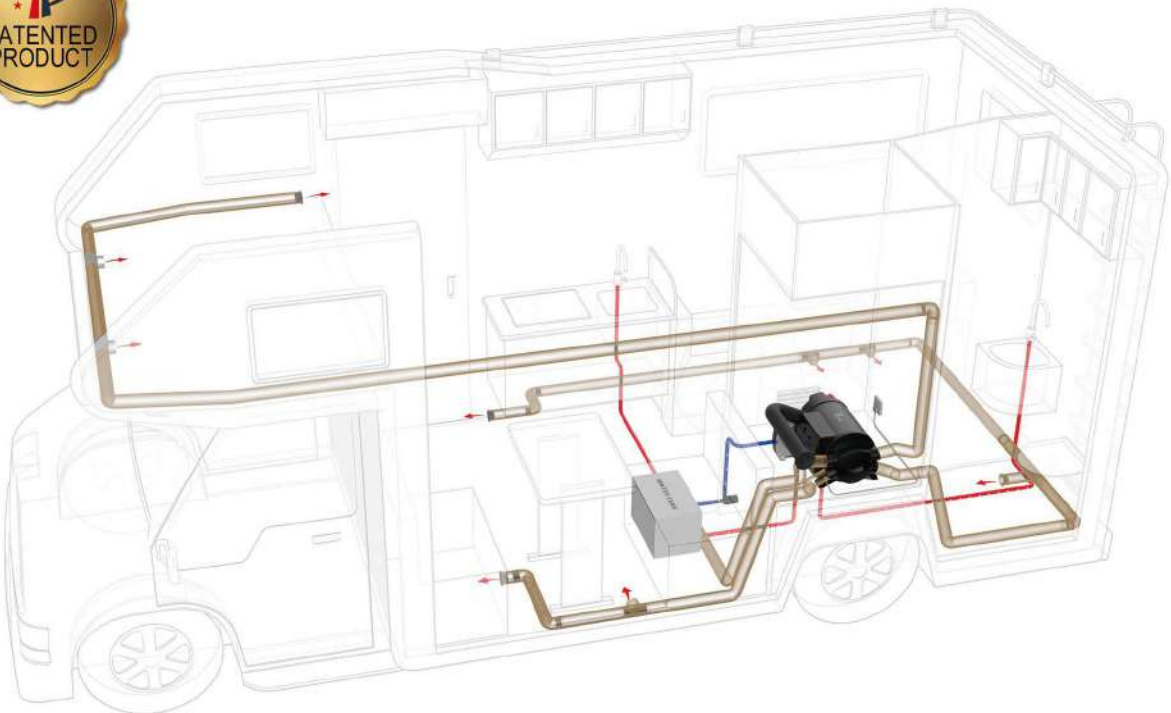
EASY TO
INSTALL





LPG AIR AND WATER INTEGRATED PARKING HEATER

The gas hot water and warm air heater uses LPG and city electric power for working. It can provide indoor heating through four heating air outlets for RVs, camper vans, yachts, etc. It can also simultaneously or separately supply hot water to bathrooms or kitchens.



**SUPER
QUIET**

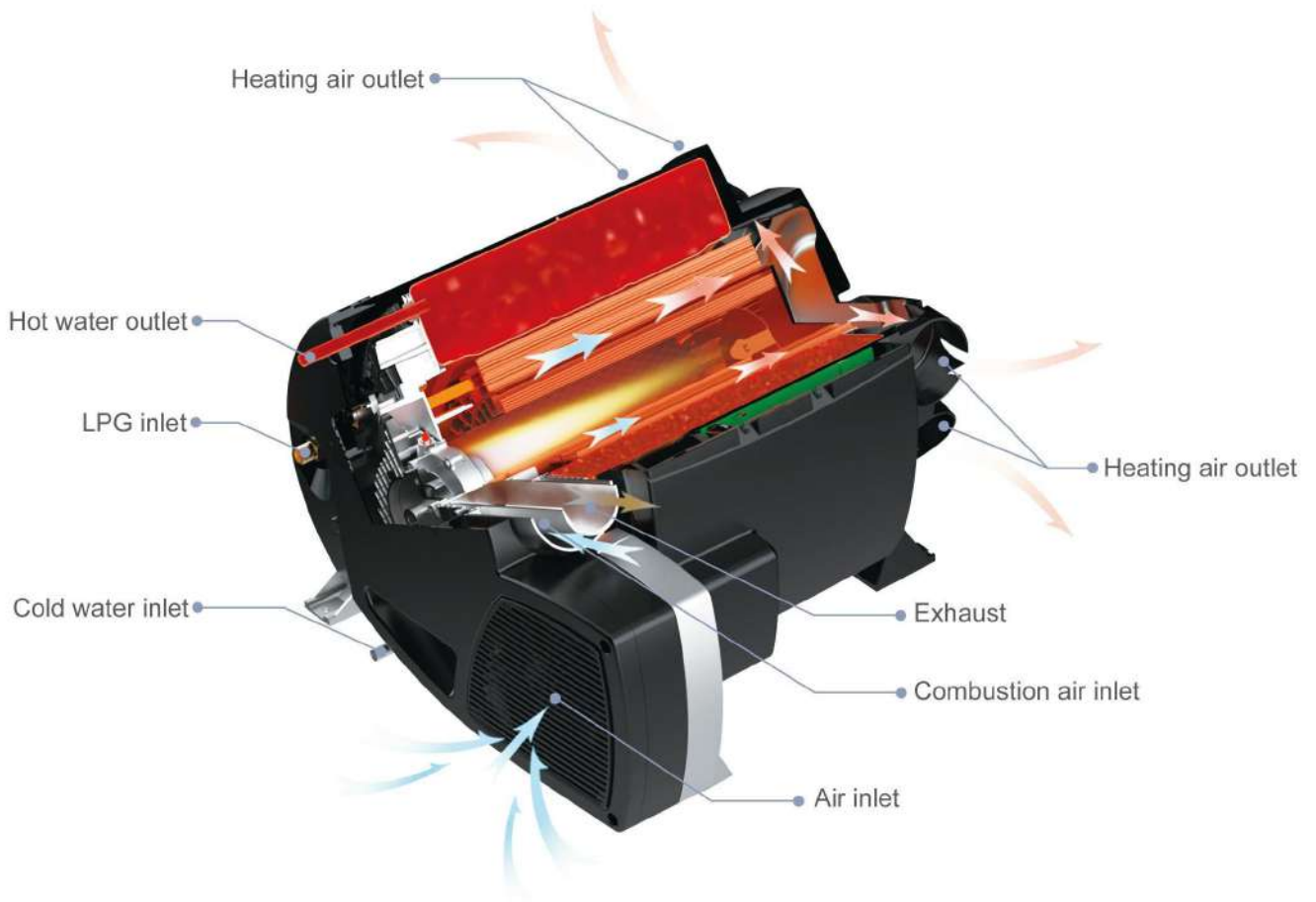
**INTELLIGENT
PLATEAU**

**SAFE AND
RELIABLE**

**ENERGY
SAVING**

**LPG OR
ELECTRIC**

**EASY TO
INSTALL**



Technical parameter

Rated voltage	DC12V			Maximum pressure of water pump	0.35MPa
Operating voltage range	DC10.5V ~ 16V			Maximum pressure of system	0.35MPa
Short-term maximum power	5.6A			Rated electric supply voltage	220V/110V
Average power consumption	1.3A			Electrical heating power	900W 1800W
Gas type	LPG (propane/butane)			Electrical power dissipation	3.9A 7.8A
Fuel heat power(W)	2000	4000	6000	Working(environment) temperature	-20°C ~ +40°C
Fuel consumption g/h	160	320	480	Working altitude	≤ 5000m
Heating medium	Water/Air			Weight(kg)	15.6kg (Without water)
Water tank capacity	10L			Dimensions(mm)	510×450×300

HOT WATER AND WARM AIR HEATER

The water heaters are divided into diesel and LPG types with electric power. Water temperature is raised by diesel/LPG or electric, providing continuous hot water for kitchens and bathrooms of RVs, trailers, yachts, etc.

SUPER
QUIET

INTELLIGENT
PLATEAU

SAFE AND
RELIABLE

ENERGY
SAVING

CONSTANT
HOT WATER

EASY TO
INSTALL



STYLE1

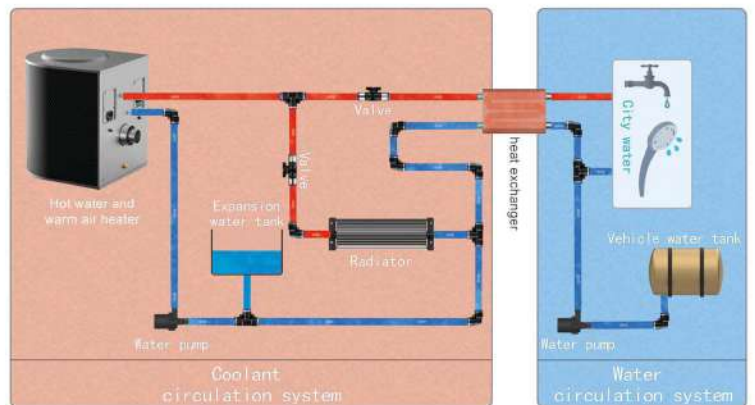
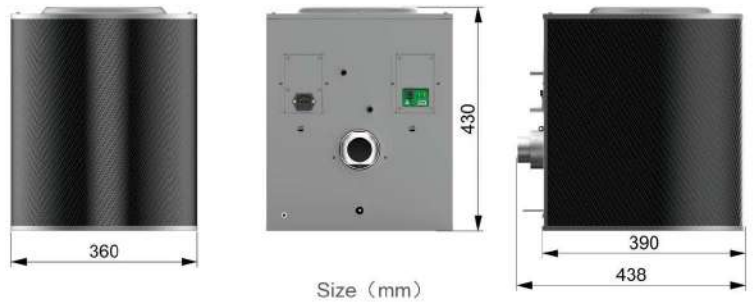


STYLE2

Comparison of Belief with coolant heater/air heater

<p>Belief</p> <ul style="list-style-type: none"> -Super quiet -Constant temperature -High thermal efficiency -Intelligent plateau function -Automatic pressure and temperature relief when exceeding limits -Easy to install -Electric version -App control -Bluetooth upgrade - Comfortable -LCD touch switch 	VS	<p>Coolant heater</p> <ul style="list-style-type: none"> -Noisy -Temperature with fluctuations -Low thermal efficiency -Without intelligent plateau function -No safety protection -Complicated installation -No electric version -No App control -No upgrade -Old type switch
--	----	---

<p>Belief</p> <ul style="list-style-type: none"> -Super quiet -Constant temperature -Comfortable -App control -Bluetooth upgrade -One heater with two functions, both air and water heating -Electric version -LCD touch switch 	VS	<p>Air heater</p> <ul style="list-style-type: none"> -Noisy -Temperature with fluctuations -No App control -No upgrade -No hot water -No electric version -Old type switch
--	----	--



Technical parameter

LPG Hot Water and Warm Air Heater YJH-Q4.5/1R 1800/220		Fuel Hot Water and Warm Air Heater YJH-Q4.5/1C 1800/220	
Rated voltage	DC12V	Rated voltage	DC12V
Working current	4.5 ~ 5A	Maximum working current	8 ~ 10A
Gas type	LPG	Average working current	4.8 ~ 5A
Gas power	4500W	Fuel type	Diesel
Gas consumption	360 g/h	Fuel power	4500W
Working pressure	30mbar	Fuel consumption	190 ~ 460 ml /h
Tank capacity	18 L	Tank capacity	18 L
Working medium	Coolant (vehicle)	Working medium	Coolant (vehicle)
Rated water pressure	≥ 0.4MPa	Rated water pressure	≥ 0.4MPa
Water pump maximum flow	34±15%/min	Water pump maximum flow	34±15%/min
Working altitude	≤ 5000m	Working altitude	≤ 5000m
Working temperature	-25℃ ~ +40℃	Working temperature	-25℃ ~ +40℃
Safety valve working temperature	94℃ ~ 99℃	Safety valve working temperature	94℃ ~ 99℃
Safety valve working water pressure	0.5±0.05MPa	Safety valve working water pressure	0.5±0.05MPa
Electric heating parameters		Electric heating parameters	
Voltage	AC220	Voltage	AC220
Electric heating power	1800W	Electric heating power	1800W

FUEL/LPG WATER HEATER

The water heaters are divided into diesel and LPG types with electric power. Water temperature is raised by diesel/LPG or electric, providing continuous hot water for kitchens and bathrooms of RVs, trailers, yachts, etc.



- FAST HEAT
- CONSTANT HOT WATER
- SUPER QUIET
- INTELLIGENT PLATEAU
- SAFE AND RELIABLE
- ENERGY SAVING
- EASY TO INSTALL

Comparison of Belief and Gas Water Heater

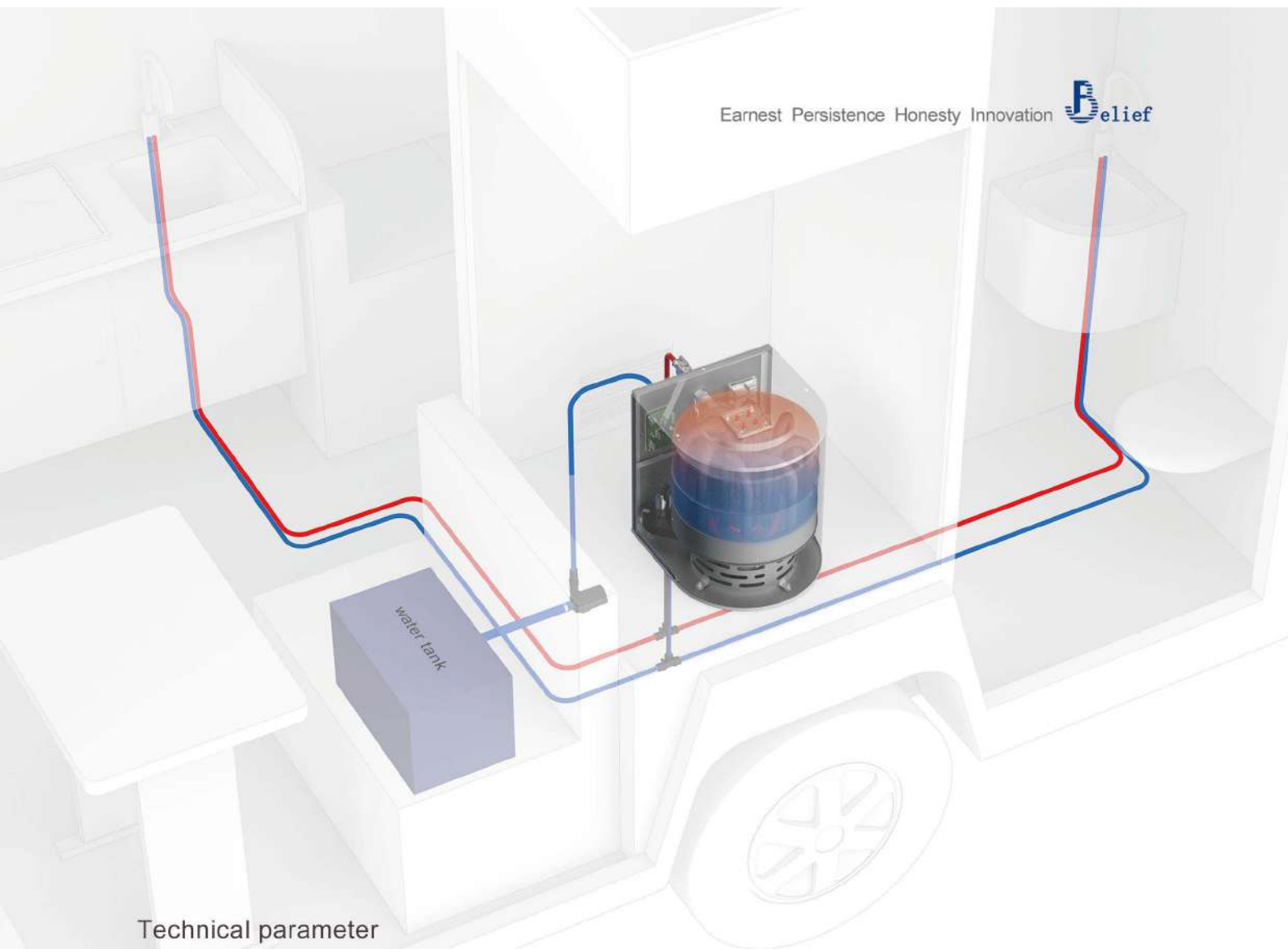
<p>Belief</p> <ul style="list-style-type: none"> -High safety -Super quiet -Electric version -Bluetooth control and upgrade 	VS	<p>Gas Water Heater</p> <ul style="list-style-type: none"> -Low safety -Noisy -No electric version -No APP control
--	----	---



STYLE2



STYLE1



Technical parameter

LPG Hot Water Heater YJH-4.5/1R 1800/220	
Rated voltage	DC12V
Working current	4A
Maximum working current	0.8 ~ 1.3A
Gas type	LPG
Gas power	4500W
Gas consumption	360g /h
Working pressure	30mbar
Tank capacity	18L
Rated water pressure	≥ 0.4MPa
Working altitude	≤ 5000m
Working temperature	1°C ~ 40°C
Safety valve working temperature	94°C ~ 99°C
Safety valve working water pressure	0.5 ± 0.05MPa
Electric heating parameters	
Voltage	AC220
Electric heating power	1800W

Fuel Water Heater YJH-4.5/1C 1800/220	
Rated voltage	DC12V
Maximum working current	8 ~ 10A
Average working current	0.3 ~ 0.5A
Fuel type	Diesel
Fuel power	4500W
Fuel consumption	190 ~ 460 ml /h
Tank capacity	18 L
Rated water pressure	≥ 0.4MPa
Working altitude	≤ 5000m
Working temperature	1°C ~ 40°C
Safety valve working temperature	94°C ~ 99°C
Safety valve working water pressure	0.5 ± 0.05MPa
Electric heating parameters	
Voltage	AC220
Electric heating power	1800W

<https://www.beliefparkingheater.com>

DIESEL COOKER AND AIR INTEGRATED PARKING HEATER

Using diesel as fuel, the explosion-proof ceramic panel is heated through the combustion of diesel, thereby achieving flameless heating. It is designed for cooking and room heating for RVs, yachts and special vehicles.



Product Features

- ★ Double stove design, big stove for fast frying, small stove for slow and warm cooking.
- ★ Suitable for iron, aluminum, tile, ceramic and other pans.
- ★ No low frequency electromagnetic radiation.
- ★ Safety and environmental protection, no flame, no indoor pollution.
- ★ Low consumption and energy saving.
- ★ Intelligent plateau function.
- ★ Super quiet.



Technical parameter

Rated voltage	DC12V		Warm air supply(m ³ /h)	110max
Short-term maximum power consumption	8 ~ 10A		Operating temperature	-40℃ ~ 35℃
Average power consumption	0.55 ~ 0.85A		Working altitude	≤ 5000m
Fuel type	Diesel	Gasoline	Weight (kg)	12
Thermal power(W)	900 ~ 2200		Dimensions(mm)	496×367×213
Fuel consumption L/H	0.1-0.28	0.15-0.29		

<https://www.beliefparkingheater.com>

DIESEL COOKER AND AIR INTEGRATED PARKING HEATER

Using diesel as fuel, the explosion-proof ceramic panel is heated through the combustion of diesel, thereby achieving flameless heating. It is designed for cooking and room heating for RVs, yachts and special vehicles.

NO
RADIATION

WARM
AIR

SAFE AND
RELIABLE

SUPER
QUIET

INTELLIGENT
PLATEAU

ENERGY
SAVING

COMPACT
SIZE



Technical parameter

Rated voltage	DC12V	Warm air supply(m ³ /h)	67m ³ /h max
Short-term maximum power consumption	8 ~ 10A	Operating temperature	-25℃ ~ ±35℃
Average power consumption	0.55 ~ 0.85A	Working altitude	≤ 5000m
Thermal power(W)	900 ~ 1800W	Weight (kg)	8.8kg
Fuel type	Diesel	Dimensions(mm)	326X359X250
Fuel consumption(ML/H)	110 ~ 192ml/h	Stove vent	≥ 40cm ²
Quiescent Current	1mA		

Comparison of Belief and Induction cooker/Gas cooker

<p>Belief</p> <ul style="list-style-type: none"> -Easy to use diesel -Warm air function -No air pollution 	VS	<p>Induction Cooker</p> <ul style="list-style-type: none"> -High power consumption -Requiring a large capacity battery -Without warm air function -Magnetic radiation
<p>Belief</p> <ul style="list-style-type: none"> -Environmental protection -No flame -Warm air function 	VS	<p>Gas Cooker</p> <ul style="list-style-type: none"> -Hard to carry the gas -Flames burn, not safe -Indoor air pollution when burning -No warm air



Stainless steel material, strong load-bearing, corrosion-resistant.

Compact structure, easy to install.

The firepower is powerful which greatly improves the efficiency.

Windproof design makes outdoor combustion stable.

Multi-level adjustment both high and low levels are stable.



Sunken Cooker



Slide Cooker



Technical parameter

Model	Slide Cooker	Sunken Cooker
Rated voltage	DC12V	
Short-term maximum power	8 ~ 10A	
Average power consumption	0.3 ~ 0.4A	
Thermal power	1000 ~ 4500W	
Fuel type	Diesel	
Fuel consumption	100 ~ 450ml/h	
Quiescent current	2.8mA	
Working temperature	-40°C ~ +40°C	
Working altitude	≤ 5000m	
Weight	10.7kg	11.7kg
Dimensions (mm)	362 x 314 x 166	480 x 314 x 166

Diesel Cooker - Slide Cooker

Using diesel as fuel, the utensils on the cooker are heated by burning the fuel for cooking.

SAFE

**STRONG
FIREPOWER**

**STABLE AND
RELIABLE**

**ENERGY
SAVING**

**SUPER
QUIET**

**INTELLIGENT
PLATEAU**



INCINERATION TOILETS(Diesel , LPG , Electric)

Belief toilet is available in diesel, LPG and electric versions. The excrement is burned in a sealed incineration chamber, resulting exhaust gas is discharged through a separate ventilation pipe, leaving only few of non-combustible ash. This fundamentally solves the shortcomings of traditional toilets that rely on water resources and require complex pipes. It has the characteristics of water conservation, environmental protection and strong adaptability to various scenarios.

Application scenarios

RVs, campsites, mobile toilets, etc.
Rural areas, mountainous regions, islands.
Disaster camps, large-scale outdoor event venues, etc.

SUPER
QUIET

NO
ODOR

SAVE
WATER

SAFE
RELIABLE

INTELLIGENT
PLATEAU

ENERGY
SAVING





Elegant design

White paint makes toilet look warm and clean. It's made with an integrated molding process, has a streamlined body with a simple appearance and no metal outside.



Easy installation

Compact size, it doesn't require pipeline installation and can be installed in a relatively narrow bathroom area which is highly suitable for use in campers, saving valuable space in the car.



Easy to operate

The body only has core buttons and no complex operations. The toilet will automatically complete the process of "falling - sealing - heating - incineration - cooling down - ashes storage". It can also be controlled via a mobile phone app, which is very convenient.



Easy to clean

The excrement will be collected in the bag and will not contaminate the toilet surface. The ashes only need to be emptied once after 70 to 100 uses. The ash discharge port is located outdoors which is convenient to take and also prevents the ashes from spilling into the indoor area.

Technical parameter

Fuel type	Electric	Diesel	LPG
Rated voltage	DC12V	DC12V	DC12V
Thermal power(KW)	2	3	3
Fuel consumption	2KW / h	30ml / h	240g / h
Gas pressure	/	/	30mbar
Electric supply	AC 250V	/	/
Max power(W)	/	120	70
Rated power(W)	105	5	15
Working temperature	-40°C ~ +50°C		
Working altitude	≤5000m		
Dimensions (mm)	510 x 440 x 560		